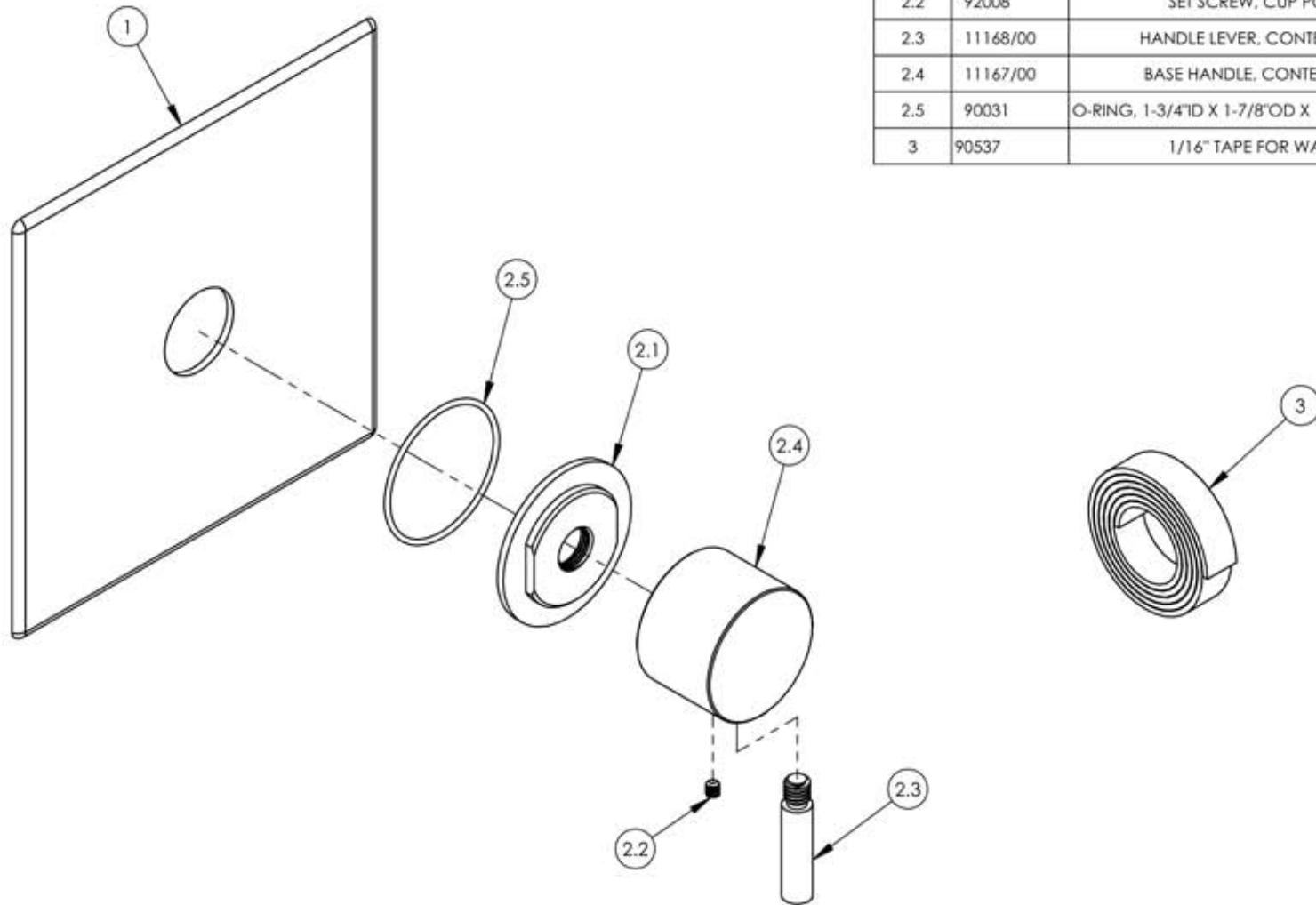


ITEM NO.	PART NUMBER	DESCRIPTION	QTY.
1	10958/00	PLATE, SHOWER TRIM MIX SERIES	1
2	3-339/00	SUB ASSY. LEVER HANDLE, BASIC II	1
2.1	11164/00	ESCUTCHEON BASE, CONTEMP. BASIC II	1
2.2	92008	SET SCREW, CUP POINT 8-32	1
2.3	11168/00	HANDLE LEVER, CONTEMP. BASIC II	1
2.4	11167/00	BASE HANDLE, CONTEMP. BASIC II	1
2.5	90031	O-RING, 1-3/4"ID X 1-7/8"OD X 1/16"THK, AS-568-031	1
3	90537	1/16" TAPE FOR WALL PLATE	1



ZONE	REV.	DESCRIPTION	DATE	APPROVED
REVISIONS				
1261 LOGAN AVENUE COSTA MESA, CALIFORNIA 92626 PHONE: 714.361.4800 FAX: 714.617.3120		PHYL RICH®	PROPRIETARY AND CONFIDENTIAL <small>THE INFORMATION CONTAINED IN THIS DRAWING IS THE SOLE PROPERTY OF R3S MANUFACTURING. ANY REPRODUCTION IN PART OR AS A WHOLE WITHOUT THE WRITTEN PERMISSION OF R3S MANUFACTURING IS PROHIBITED.</small>	
DO NOT SCALE DRAWING				

-	-	INTERPRET GEOMETRIC DIMENSIONING & TOLERANCING IN ACCORDANCE WITH ASME Y14.5-2009 & ASME Y14.41-2003 STANDARDS. UNLESS OTHERWISE SPECIFIED, DIMENSIONS ARE IN INCHES. TOLERANCES ARE:		
NEXT ASSY	USED ON	FRACTIONS ±1/64"	DECIMALS X.X: ±.1 X.XX: ±.01 X.XXX: ±.005	ANGULAR ±.5°
APPLICATION		MATERIAL	NAME	DATE
FINISH		DRAWN	FME	11/10/2015
		CHECKED	LLO	

PRESSURE BALANCE SHOWER PLATE & HANDLE TRIM, LEVER HDL, BASIC II SERIES

SIZE	ASM/PRT NO.	REV
A	4-187/00	-
SCALE: 1:2	WEIGHT: lbs.	SHEET 1 OF 2

5

4

3

2

1